

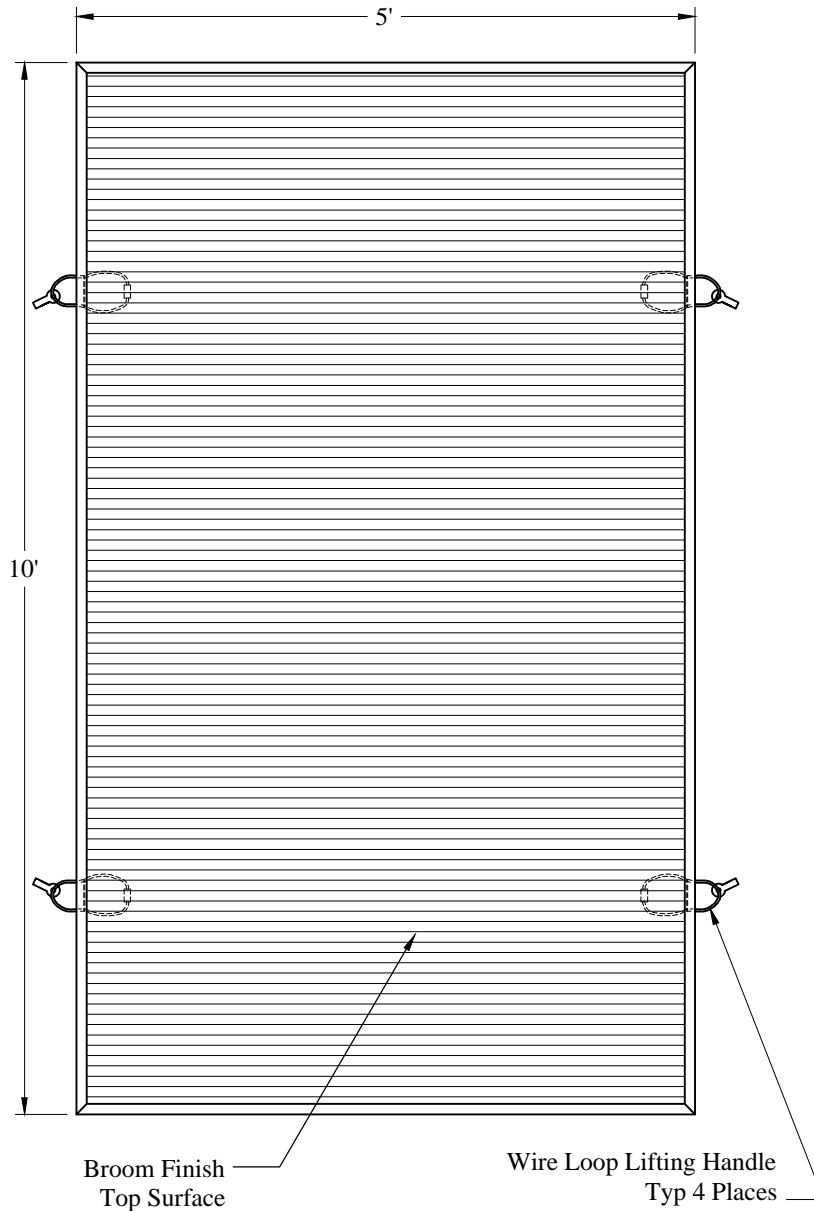
1-800-639-2199

Fax (603) 224-2927

Steps\5 Ft x 10 Ft x 1 Ft Step Pad (v)

Phoenix Precast Products

Phoenix Precast Products



**General Notes**

1. Concrete:  $f_c = 5,000$  psi @ 28 Days Minimum
2. Steel Reinforcement Conforms to Latest ASTM Specifications: ASTM-A615 Grade 60 Black Deformed Bars
3. Est Weight: 7,400 Lbs
4. Broom Finish Top Surface

Phoenix  
Precast  
Products

5' x 10' x 1'  
Step Pad

P/N: PSP-5X10X1